

# PREMIER PRODUCTS, Inc.

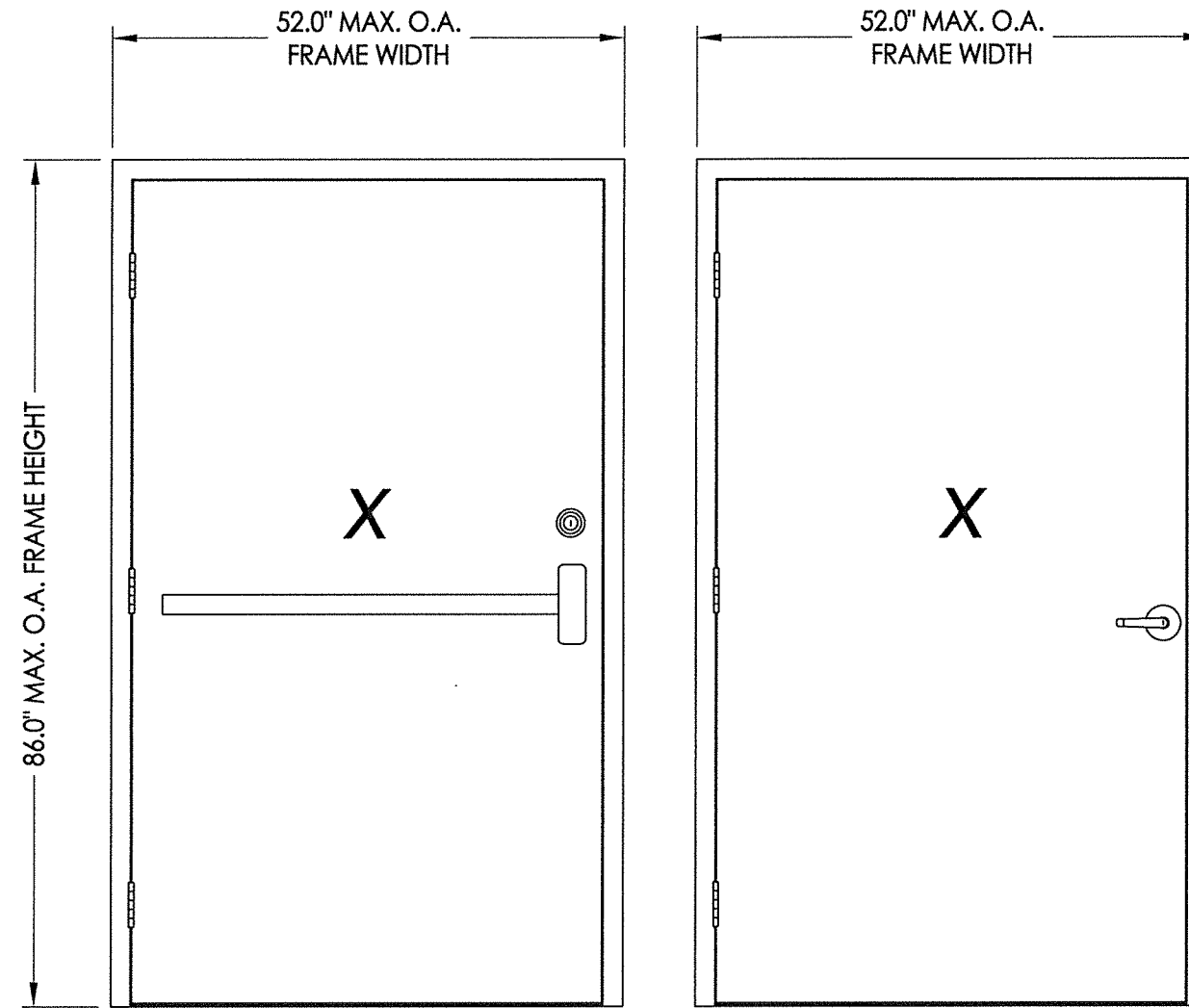
2840 Sterlington Road  
Monroe, LA 71203

## "SWR-S18-4" SEVERE WINDSTORM RATED STEEL DOOR OUTSWING "IMPACT"

### GENERAL NOTES

1. This product has been evaluated and is in compliance with the 7th Edition (2020) Florida Building Code (FBC) structural requirements excluding the "High Velocity Hurricane Zone" (HVHZ).
2. Product anchors shall be as listed and spaced as shown on details. Anchor embedment to base material shall be beyond wall dressing or stucco.
3. When used in areas requiring wind borne debris protection this product complies with FBC Sections 1609.1.2 & R301.2.1.2 and does not require an impact resistant covering. This product meets missile level "D" and includes Wind Zone 4 as defined in ASTM E 1996 and FBC Sections 1609.1.2.2 & R301.2.1.2.1.
4. Site conditions that deviate from the details of this drawing require further engineering analysis by a licensed engineer or registered architect.

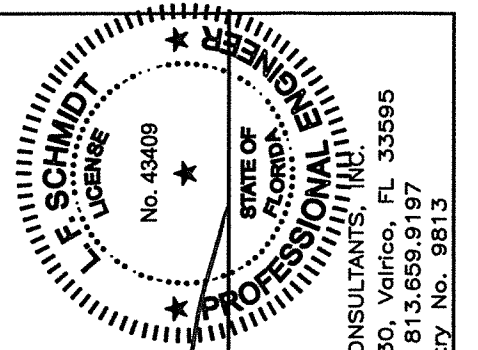
TABLE OF CONTENTS	
SHEET#	DESCRIPTION
1	Typical elevations, design pressures, & general notes
2	Door panel details
3	Horizontal & vertical cross sections
4	Horizontal cross sections
5	Frame anchoring
6	Bill of materials and components



**RIM PANIC BAR EXIT DEVICE  
w/ DEADBOLT**

**CYLINDRICAL LOCK (shown)  
or  
MORTISE LOCK/DEADBOLT**

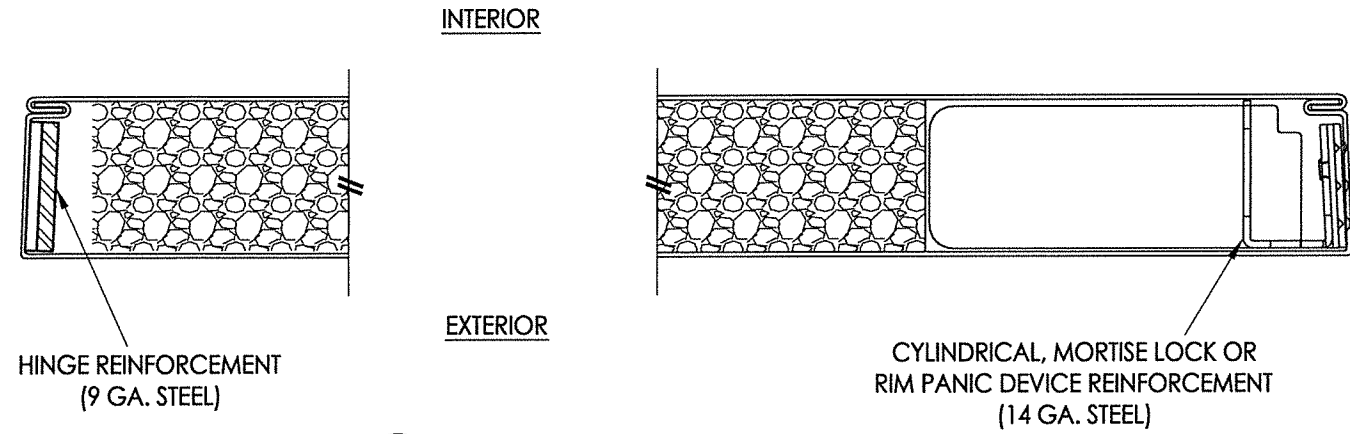
MAX. OVERALL DIMENSION	DESIGN PRESSURE (PSF)	
	POSITIVE	NEGATIVE
52.0" X 86.0"	+50.0	-50.0



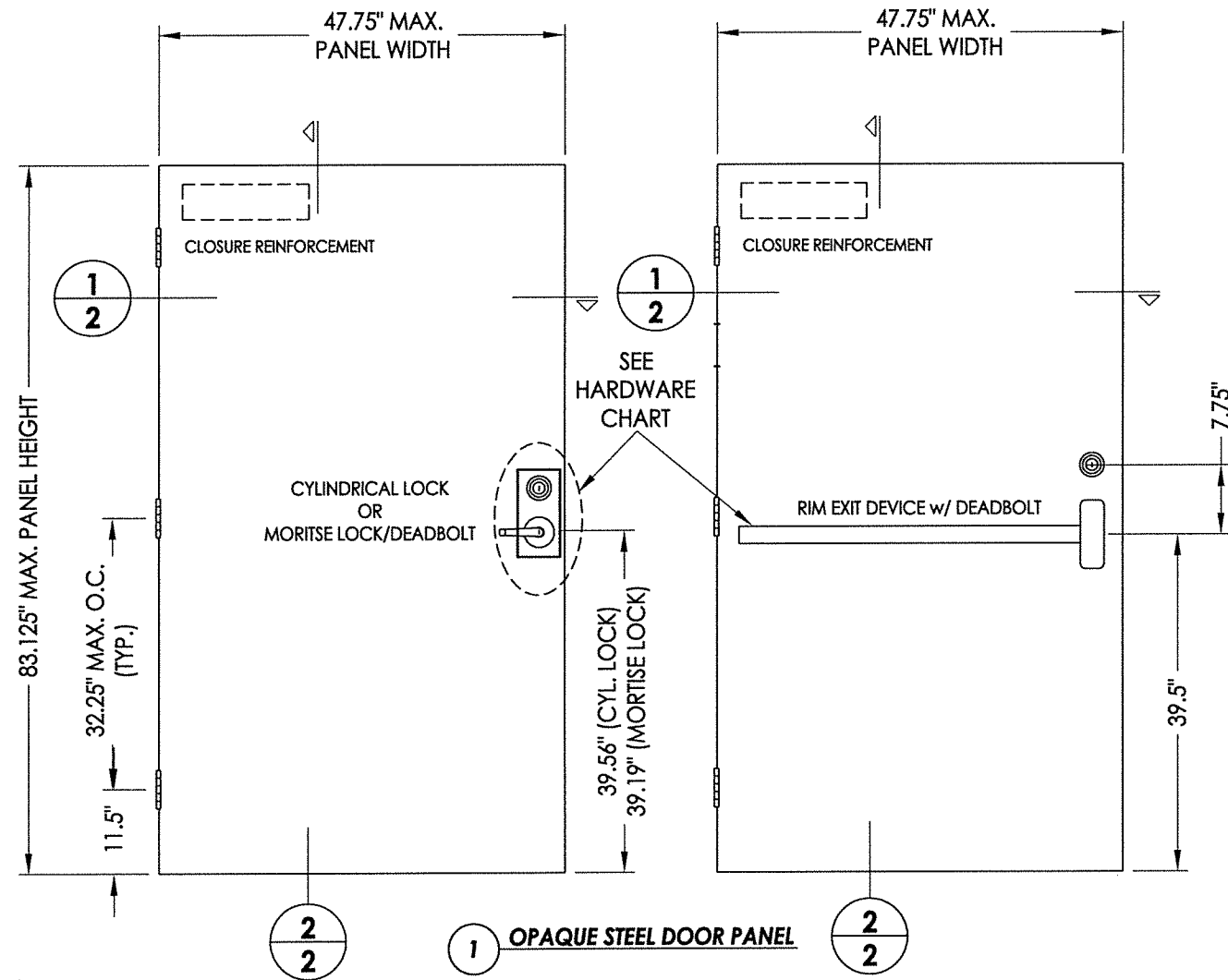
September 9, 2020  
Documents Prepared By:  
Lyndon F. Schmidt  
P.E. No. 43409

**R.W.** BUILDING CONSULTANTS, INC.  
P.O. Box 230, Valrico, FL 33595  
Phone No.: 813.659.9197  
FBPE Registry No. 9813

PRODUCT:	PREMIER PRODUCTS, INC.		
PART OR ASSEMBLY:	TYPICAL ELEVATIONS, DESIGN PRESSURES & GENERAL NOTES		
DATE	NO.	BY	REVISIONS
9/08/20	2	LFS	UPDATE TO 7TH ED. (2020) FBC
9/20/17	1	LFS	UPDATE TO 6TH ED. (2017) FBC
DATE: 12/11/15			
SCALE: N.T.S.			
DWG. BY: JK			
CHK. BY: LFS			
DRAWING NO.: FL-17460.3			
SHEET 1 OF 6			

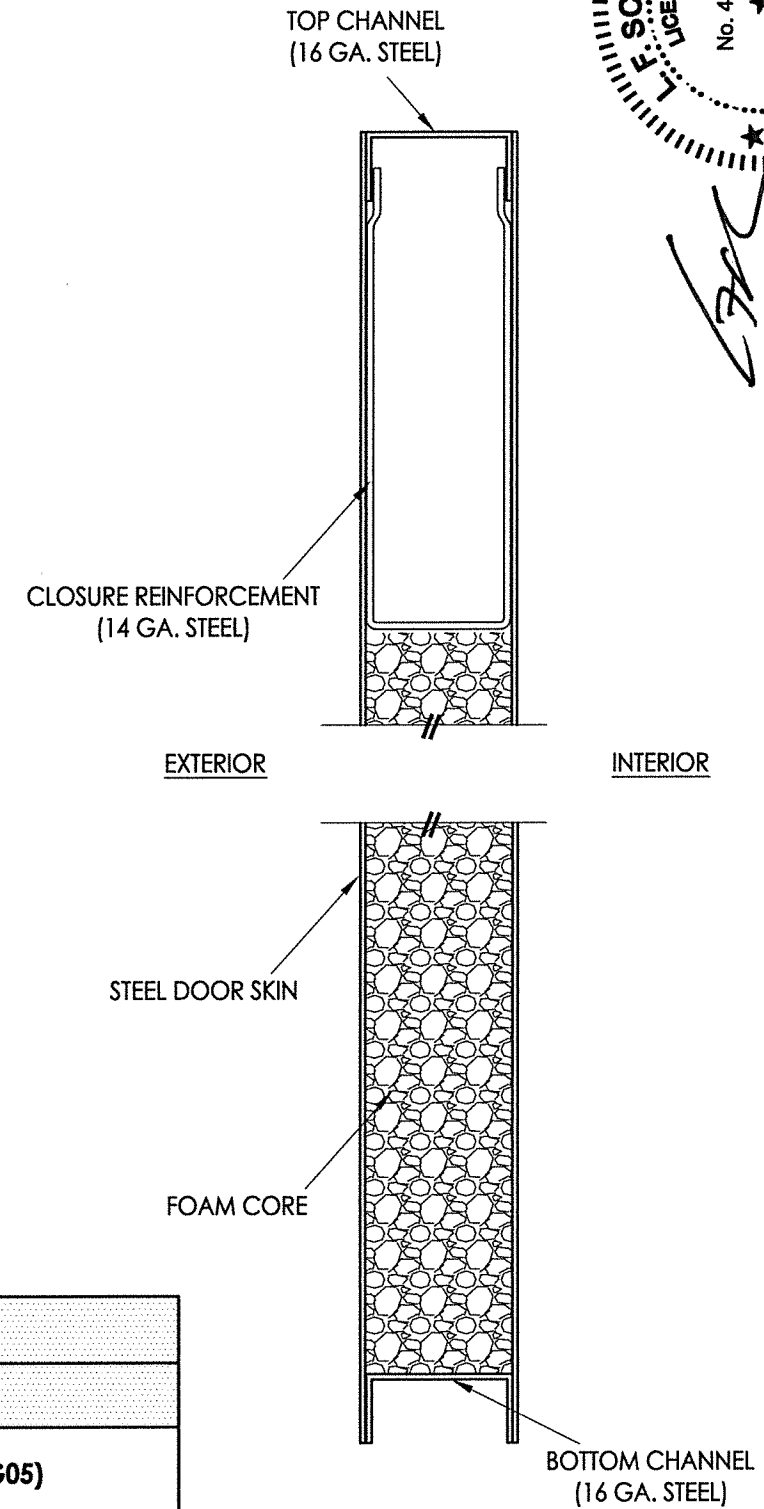


**1**  
**2** HORIZONTAL CROSS SECTION



STEEL DOOR SKIN: 18 GA. A60 GALV. (min. 0.042\"/>

HARDWARE CHART	
MANUFACTURER	MODEL
SARGENT	CYLINDRICAL LOCK: 10 LINE (G05)
FALCON	MORTISE LOCK/DEADBOLT: MA SERIES (571)
FALCON	RIM EXIT DEVICE: 25 R-SERIES
SCHLAGE	DEADBOLT: B-600 SERIES

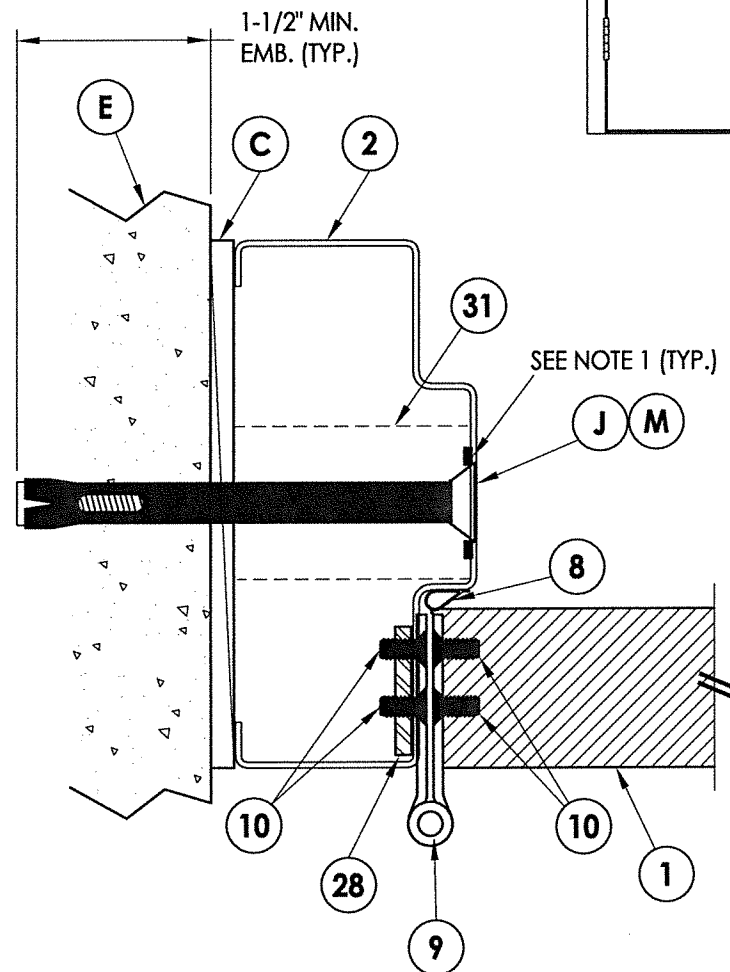
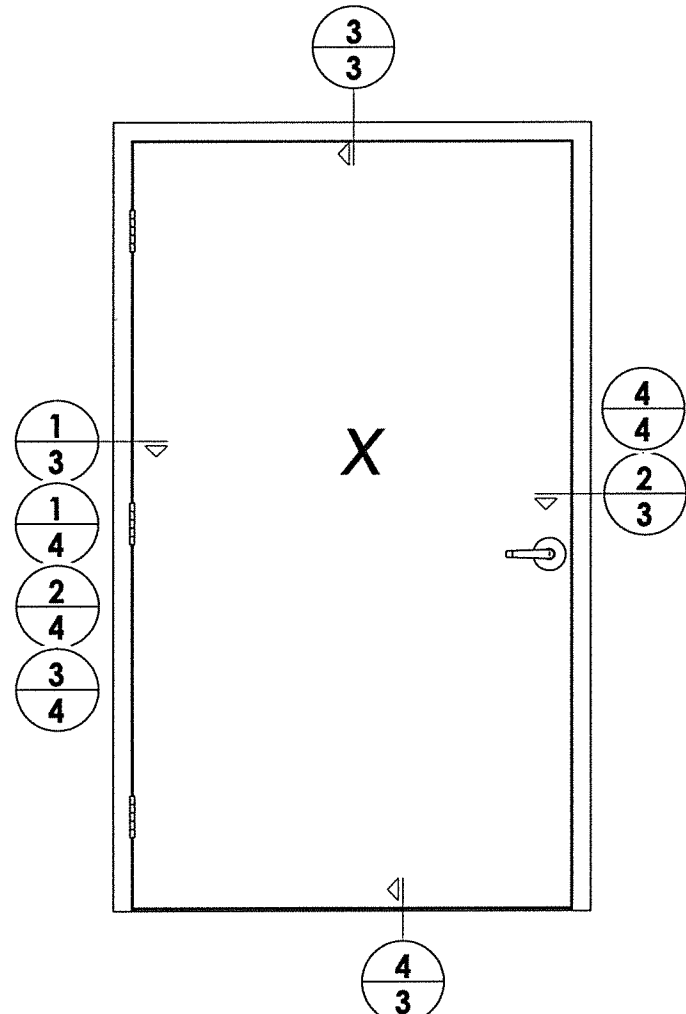


**2**  
**2** VERTICAL CROSS SECTION

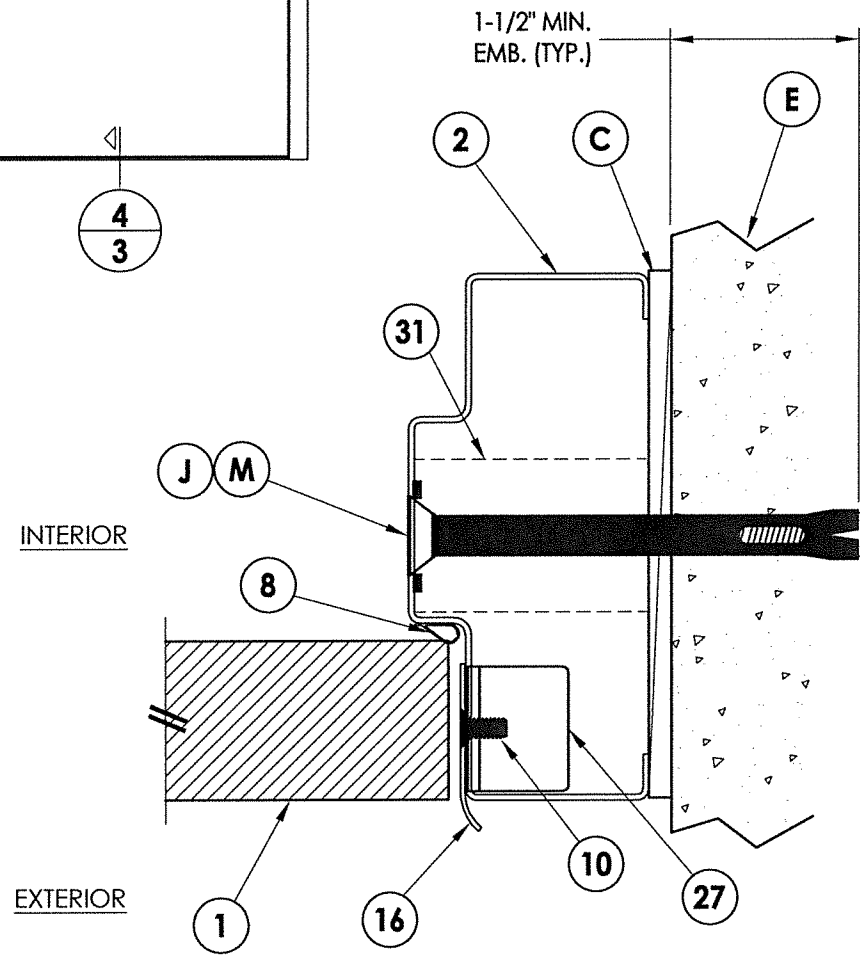
September 9, 2020  
 Documents Prepared By:  
 Lyndon F. Schmidt  
 P.E. No. 43409  
 R.W. BUILDING CONSULTANTS, INC.  
 P.O. Box 230, Valrico, FL 33595  
 Phone No.: 813.659.9197  
 FBPE Registry No. 9813

PRODUCT:	PREMIER PRODUCTS, INC.
PART OR ASSEMBLY:	DOOR PANEL DETAILS
DATE:	12/11/15
SCALE:	N.T.S.
DWG. BY:	JK
CHK. BY:	LFS
DRAWING NO.:	FL-17460.3
SHEET	2 OF 6

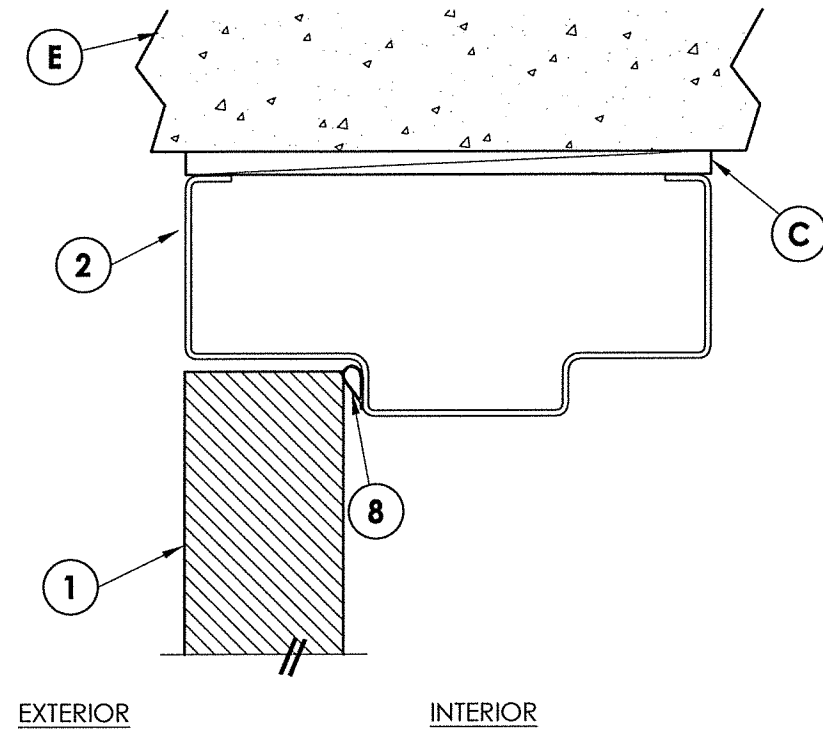
NOTES:  
 1. Spot weld anchor bracket to frame:  
 2 welds per flange (4 total per bracket).



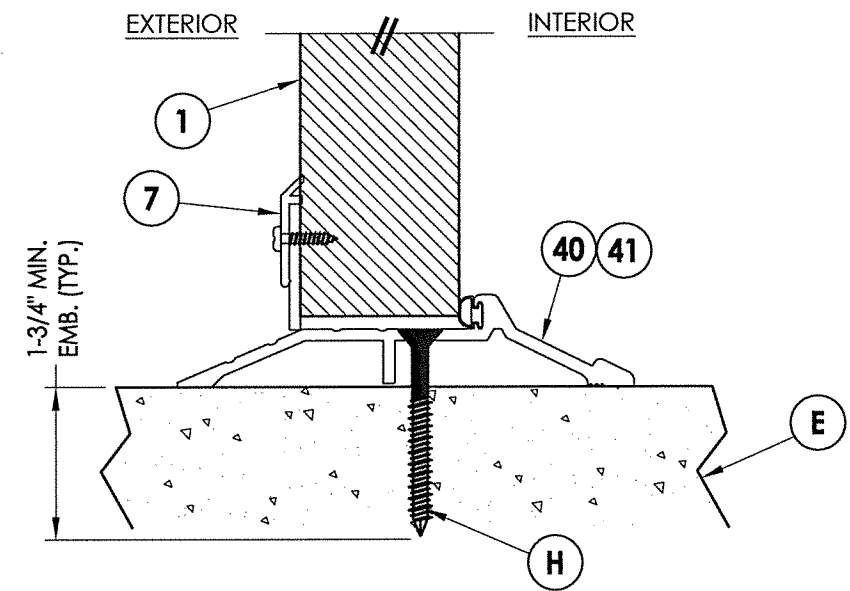
**1 HORIZONTAL CROSS SECTION**  
 3 Shown w/ Concrete Jamb Anchor



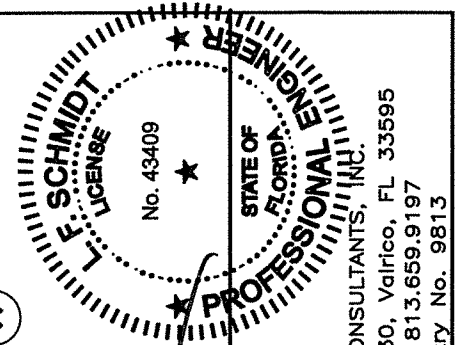
**2 HORIZONTAL CROSS SECTION**  
 3 Shown w/ Concrete Jamb Anchor



**3 VERTICAL CROSS SECTION**

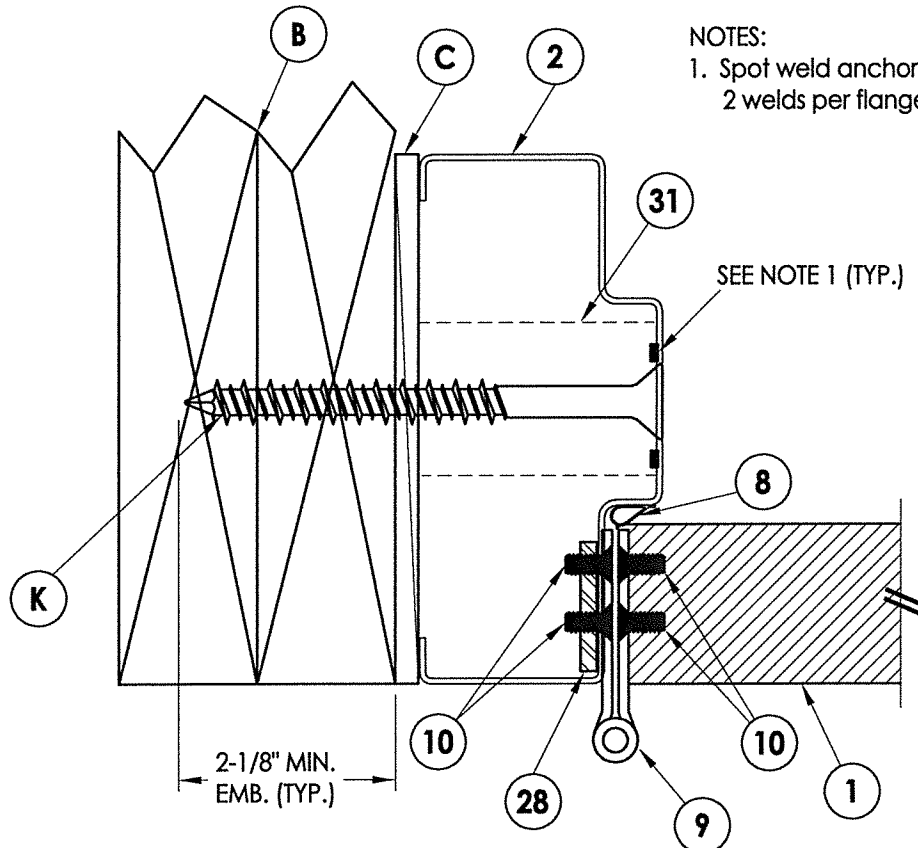


**4 VERTICAL CROSS SECTION**



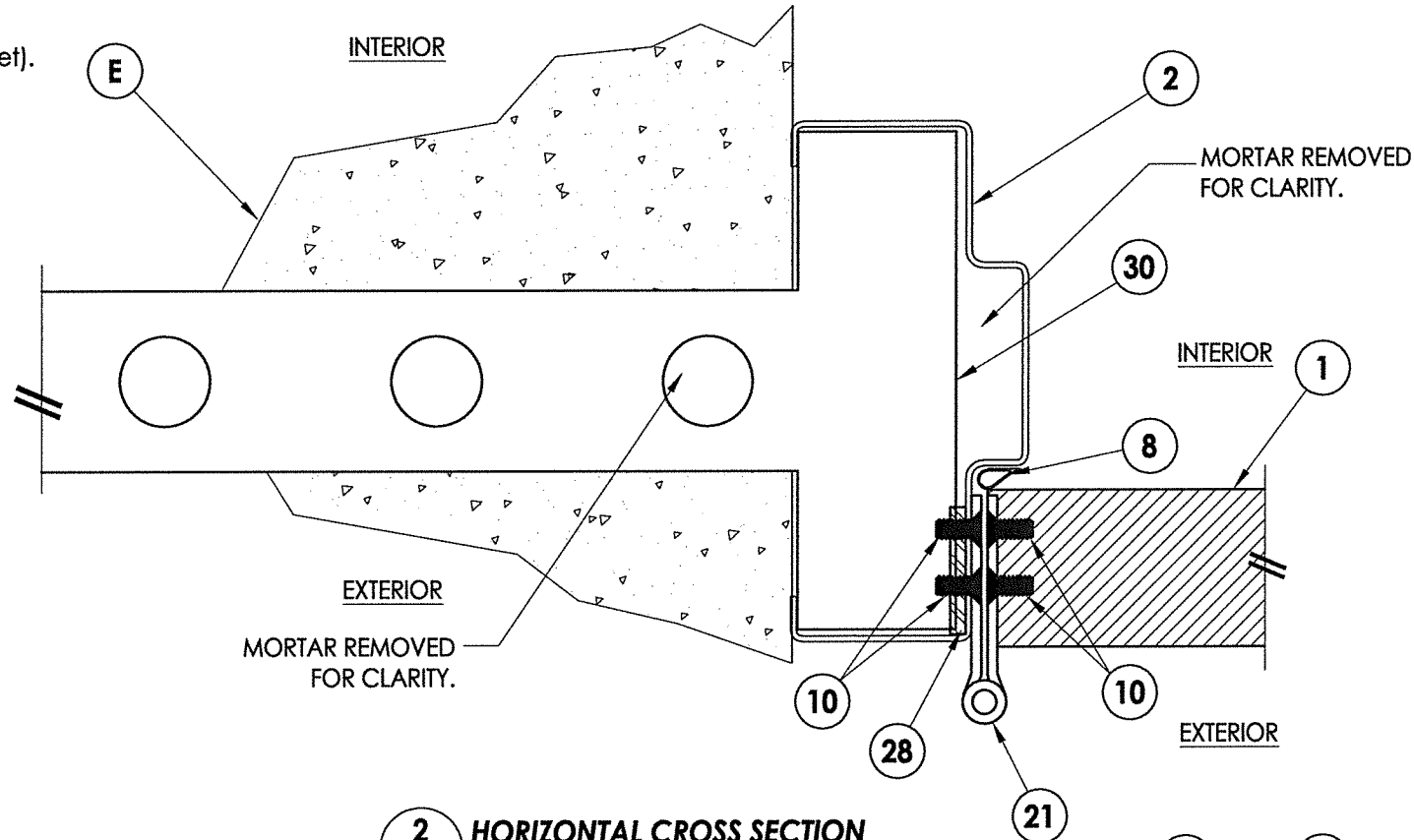
September 9, 2020  
 Documents Prepared By:  
 Lyndon F. Schmidt  
 P.E. No. 43409  
 R.W. BUILDING CONSULTANTS, INC.  
 P.O. Box 230, Valrico, FL 33595  
 Phone No.: 813.659.9197  
 FBPE Registry No. 9813

PRODUCT:		PREMIER PRODUCTS, INC.	
PART OR ASSEMBLY:		HORIZONTAL & VERTICAL CROSS SECTIONS	
DATE:	12/11/15	NO.	DATE
SCALE:	N.T.S.	2	9/08/20
DWG. BY:	JK	1	9/20/17
CHK. BY:	LFS		
DRAWING NO.:	FL-17460.3		
SHEET	3	OF	6

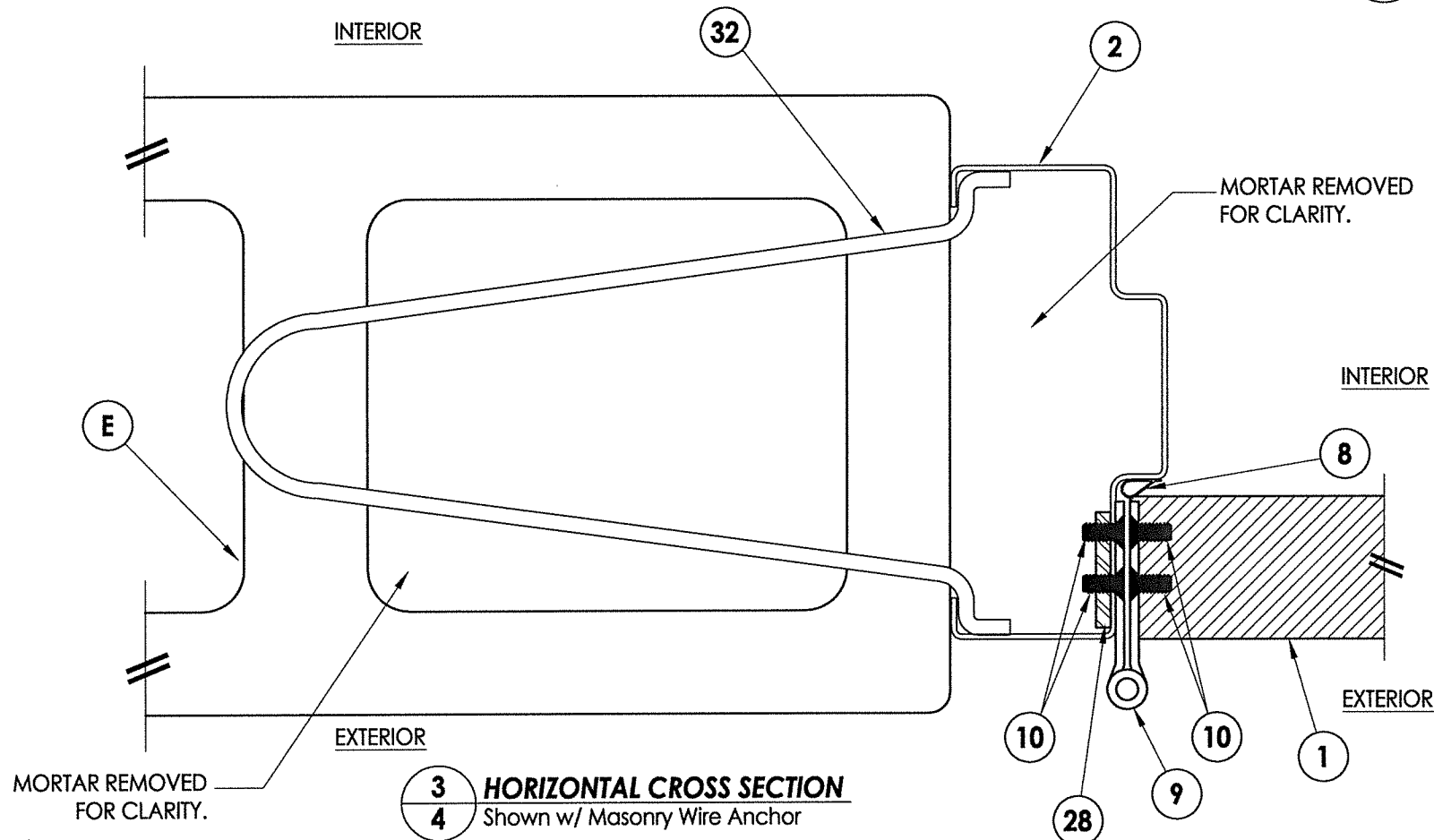


**1** HORIZONTAL CROSS SECTION  
**4** Shown w/ Concrete Jamb Anchor

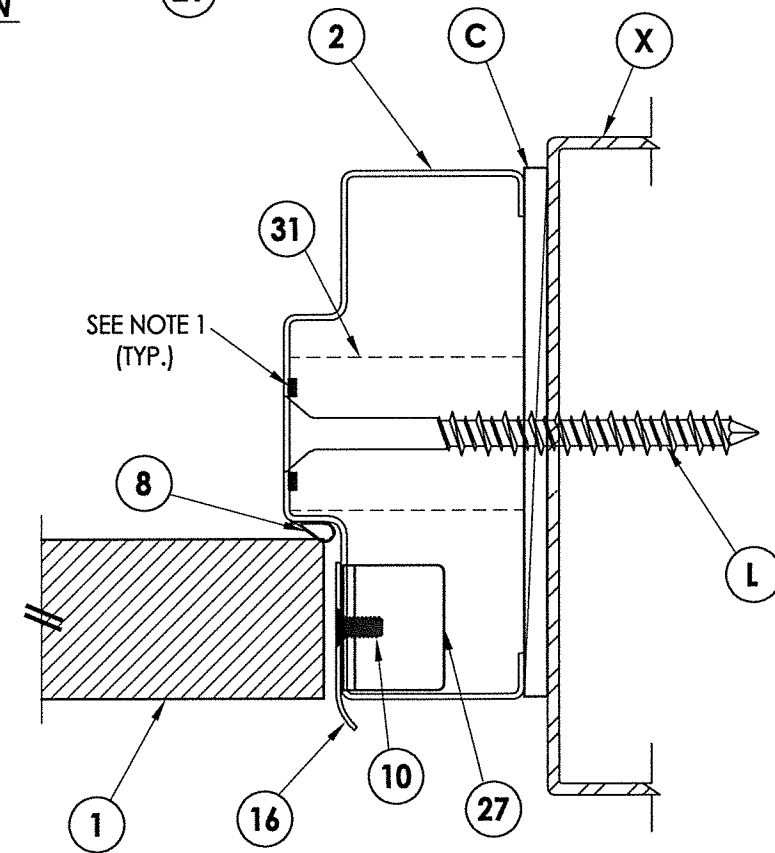
NOTES:  
1. Spot weld anchor bracket to frame:  
2 welds per flange (4 total per bracket).  
SEE NOTE 1 (TYP.)



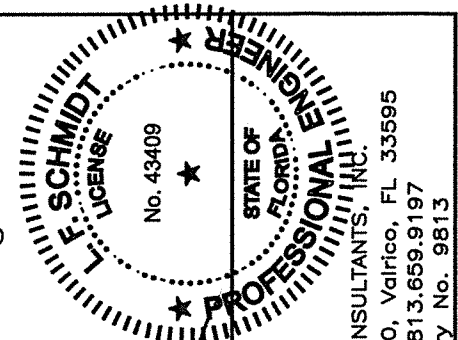
**2** HORIZONTAL CROSS SECTION  
**4** Shown w/ Masonry 'T' Anchor



**3** HORIZONTAL CROSS SECTION  
**4** Shown w/ Masonry Wire Anchor

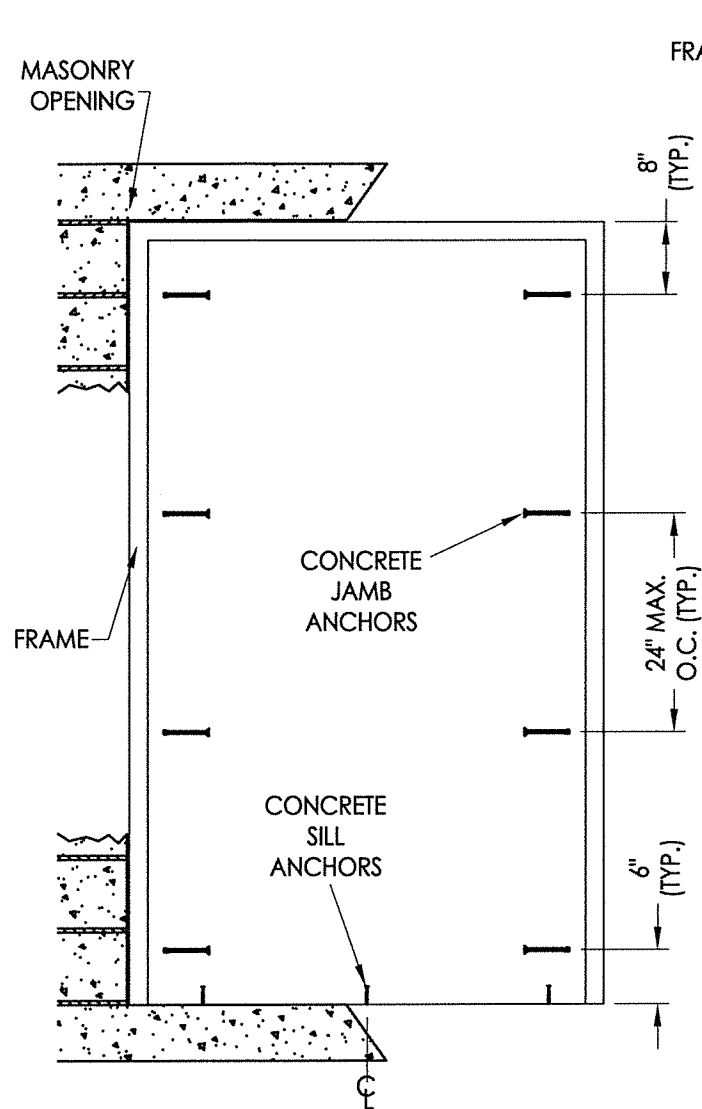


**4** HORIZONTAL CROSS SECTION  
**4** Shown w/ Steel Stud Anchor

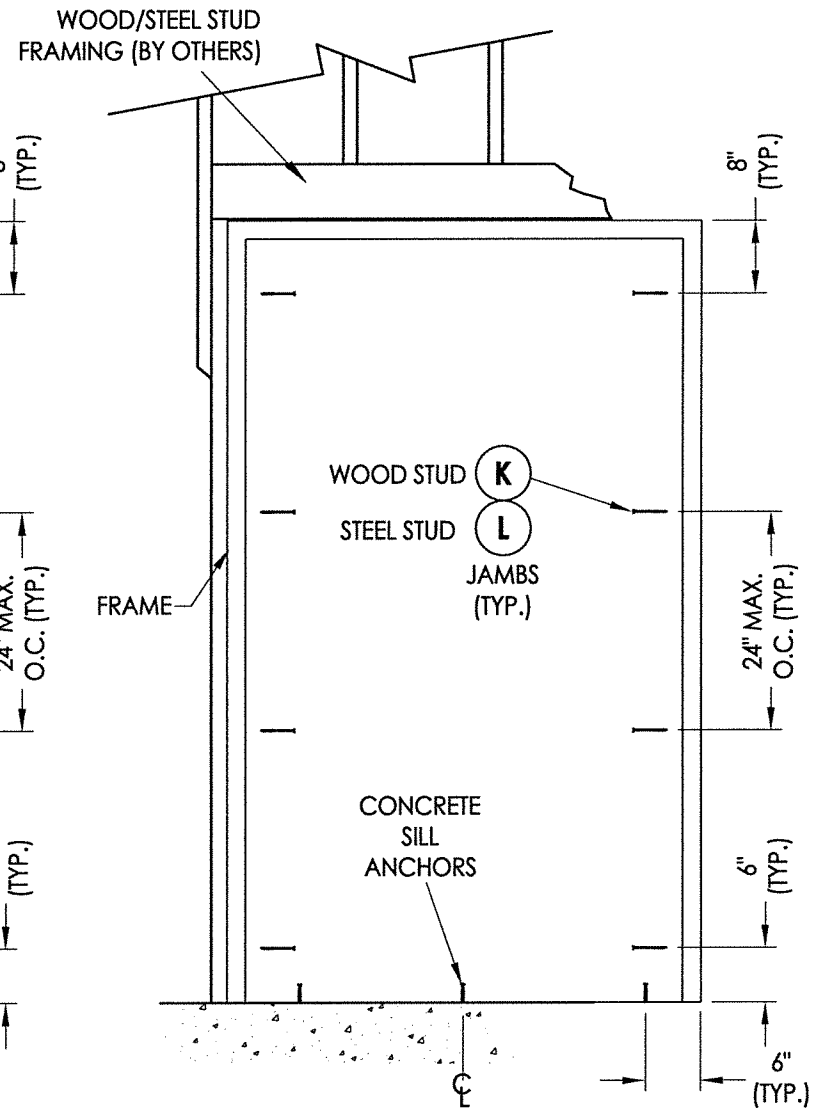


September 9, 2020  
Documents Prepared By:  
Lyndon F. Schmidt  
P.E. No. 43409  
R.W. BUILDING CONSULTANTS, INC.  
P.O. Box 230, Valrico, FL 33595  
Phone No.: 813.659.9197  
FBPE Registry No. 9813

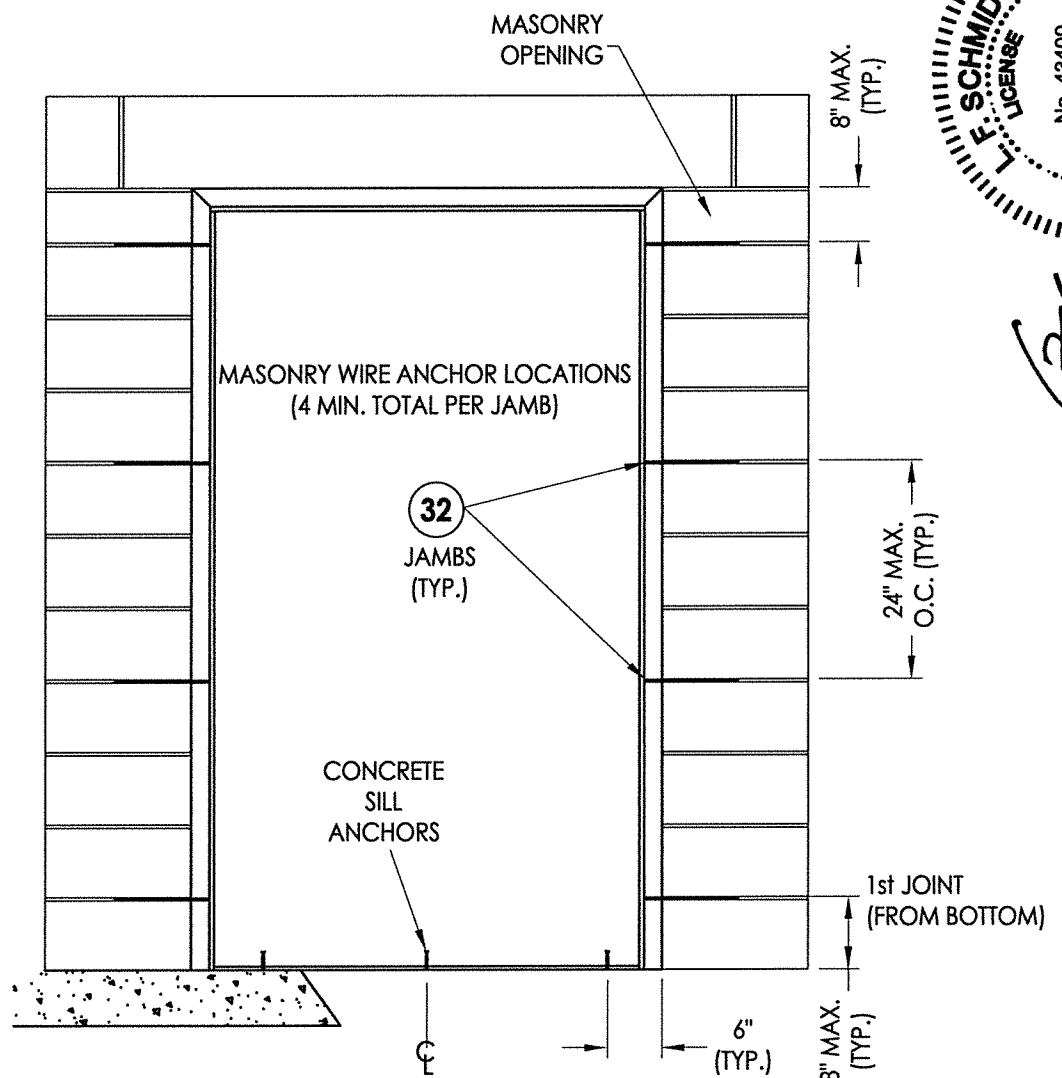
PRODUCT: PREMIER PRODUCTS, INC.		PART OR ASSEMBLY: HORIZONTAL CROSS SECTIONS	
DATE:	12/11/15	NO.	DATE
SCALE:	N.T.S.	2	9/08/20
DWG. BY:	JK	1	9/20/17
CHK. BY:	LFS		
DRAWING NO.:	FL-17460.3		
SHEET	4	OF	6



**FRAME ANCHORING**  
Masonry Construction  
Concrete Anchors



**FRAME ANCHORING**  
Wood/Steel Stud

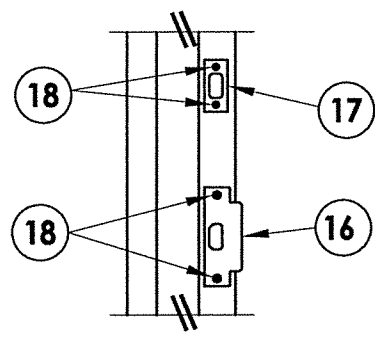


**FRAME ANCHORING**  
Masonry Construction  
Masonry Wire Anchors

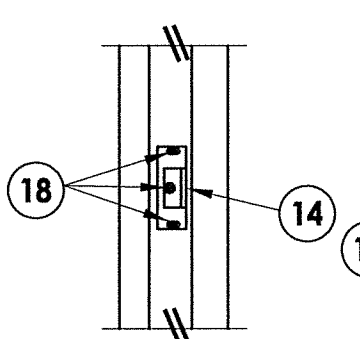
**CONCRETE ANCHOR NOTES:**

- Concrete screw locations at the corners may be adjusted to maintain a minimum 1" edge distance to mortar joints. If concrete screw locations noted as "MAX. O.C." must be adjusted to maintain the minimum edge distance to mortar joints, additional concrete screws may be required to ensure the maximum on center dimension is not exceeded.
- Concrete anchor table:

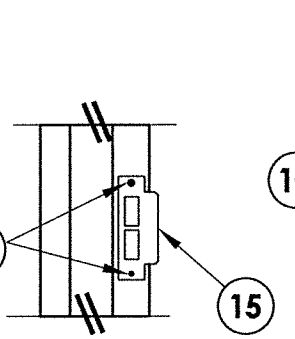
ANCHOR TYPE	ANCHOR LOCATION	ANCHOR SIZE	MANUFACTURER	MIN. EDGE DISTANCE	MIN. EMBEDMENT
CONCRETE ANCHOR SCREW	JAMBS	3/8"	LDT TAPCON® (ITW BUILDEX)	3"	1-1/2"
	SILL	1/4"	TAPCON® (ITW BUILDEX) ULTRACON+® (DeWALT)	2-1/2"	1-3/4"
CONCRETE SLEEVE ANCHOR	JAMBS	3/8"	DYNABOLT SLEEVE ANCHOR® (ITW REDHEAD)	2-1/4"	1-1/2"



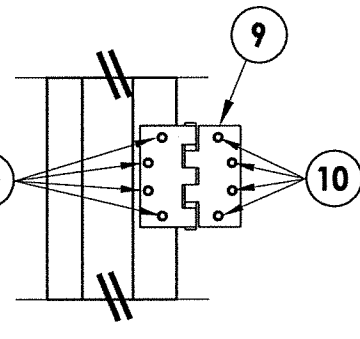
**STRIKE DETAIL**  
Latch & Deadbolt



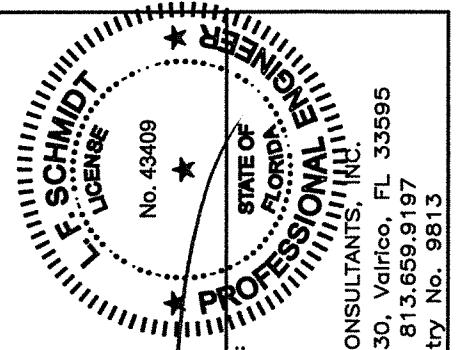
**STRIKE DETAIL**  
Rim Exit Device



**STRIKE DETAIL**  
Mortise Lock



**HINGE DETAIL**

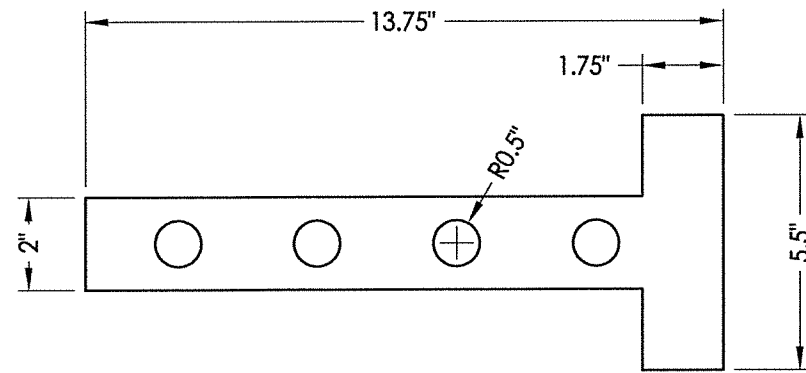


September 9, 2020  
 Documents Prepared By:  
 Lyndon F. Schmidt  
 P.E. No. 43409  
 R.W. BUILDING CONSULTANTS, INC.  
 P.O. Box 230, Valrico, FL 33595  
 Phone No.: 813.659.9197  
 FBPE Registry No. 9813

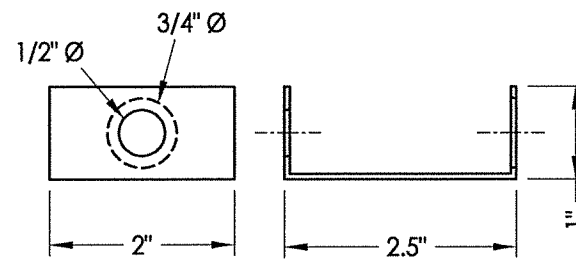
PRODUCT:	PREMIER PRODUCTS, INC.
PART OR ASSEMBLY:	FRAME ANCHORING
DATE:	12/11/15
SCALE:	N.T.S.
DWG. BY:	JK
CHK. BY:	LFS
DRAWING NO.:	FL-17460.3
SHEET	5 OF 6

R:\Clients\Premier Products PERMANENTVA - Florida Product Approvals\FL-17460\C - Drawings\FL-17460\FL-17460-1-4.dwg, 6.3

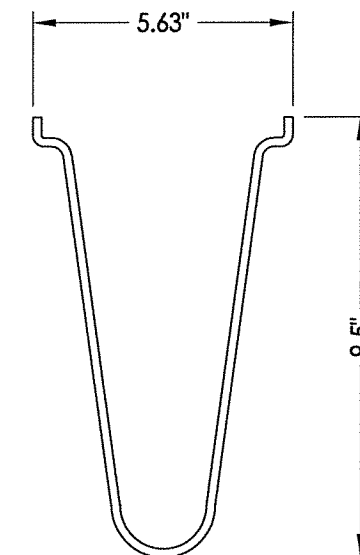
BILL OF MATERIALS		
ITEM #	DESCRIPTION	MATERIAL
C	1/4" MAX. SHIM SPACE	-
E	MASONRY - 3,000 PSI MIN. CONCRETE CONFORMING TO ACI 301 OR HOLLOW BLOCK (GROUT FILLED) CONFORMING TO ASTM C90	CONCRETE
H	1/4" X 2-1/4" PFH CONCRETE SCREW (SEE CONCRETE ANCHOR TABLE)	STEEL
J	3/8" X 5" PFH DYNABOLT SLEEVE ANCHOR (SEE CONCRETE ANCHOR TABLE)	STEEL
K	3/8" X 5" FH LAG SCREW (2-1/8" MIN. EMBEDMENT)	STEEL
L	3/8" Ø SMS (MUST PENETRATE MIN. 3 THREADS THROUGH STEEL STUD)	STEEL
M	3/8" X 5" LDT TAPCON CONCRETE SCREW (SEE CONCRETE ANCHOR TABLE)	STEEL
1	STEEL DOOR PANEL	-
2	HOLLOW METAL FRAME (16 GA)	STEEL
7	DOOR SWEEP (PEMKO 315 BN)	ALUM/VINYL
8	WEATHERSTRIP (PEMKO S88)	STEEL
9	4-1/2" X 4-1/2" HINGE	STEEL
10	#12-24 X 1/2" PFH MACHINE SCREW	STEEL
14	RIM PANIC DEVICE STRIKE PLATE	STEEL
15	MORTISE STRIKE PLATE	STEEL
16	LATCH STRIKE PLATE	STEEL
17	DEADBOLT STRIKE PLATE	STEEL
18	#12 X 1" FH SCREW	STEEL
27	FRAME STRIKE REINFORCEMENT (14 GA)	STEEL
28	FRAME HINGE REINFORCEMENT (9 GA)	STEEL
30	MASONRY 'T' ANCHOR	STEEL
31	EXISTING WALL ANCHOR	STEEL
32	WIRE ANCHOR	STEEL
40	THRESHOLD (PEMKO 181 V)	ALUMINUM
41	THRESHOLD (PEMKO 2005 V)	ALUMINUM



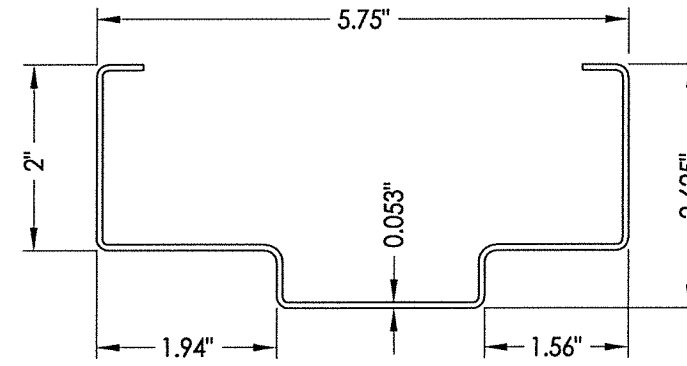
**30 MASONRY 'T' ANCHOR**  
16 GA STEEL



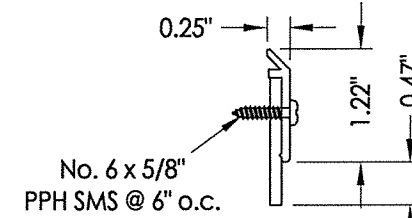
**31 EXISTING WALL ANCHOR**



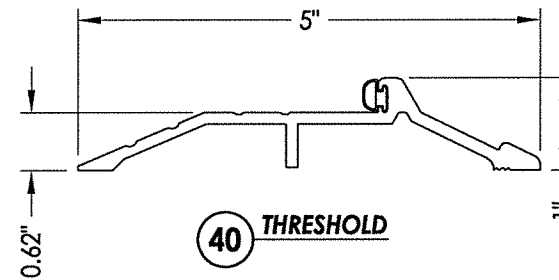
**32 WIRE ANCHOR**  
9 GA STEEL



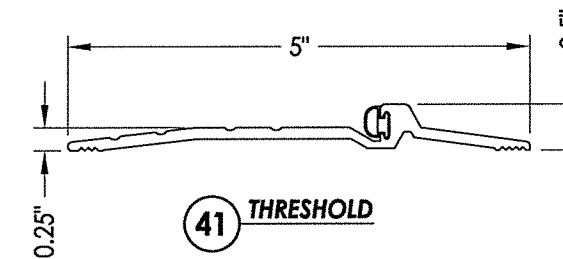
**2 HOLLOW METAL FRAME**



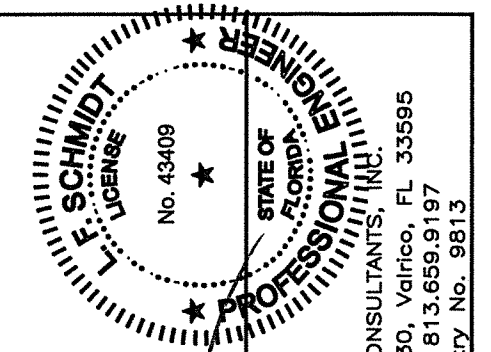
**7 DOOR SWEEP**



**40 THRESHOLD**



**41 THRESHOLD**



September 9, 2020

Documents Prepared By:  
Lyndon F. Schmidt  
P.E. No. 43409

**RW BUILDING CONSULTANTS, INC.**  
P.O. Box 230, Valrico, FL 33595  
Phone No.: 813.659.9197  
FBPE Registry No. 9813

PRODUCT:  
PREMIER PRODUCTS, INC.

PART OR ASSEMBLY:  
BILL OF MATERIALS  
& COMPONENTS

NO.	DATE	REVISIONS
2	9/08/20	UPDATE TO 7TH ED. (2020) FBC
1	9/20/17	UPDATE TO 6TH ED. (2017) FBC

DATE: 12/11/15

SCALE: N.T.S.

DWG. BY: JK

CHK. BY: LFS

DRAWING NO.:  
FL-17460.3

SHEET 6 OF 6